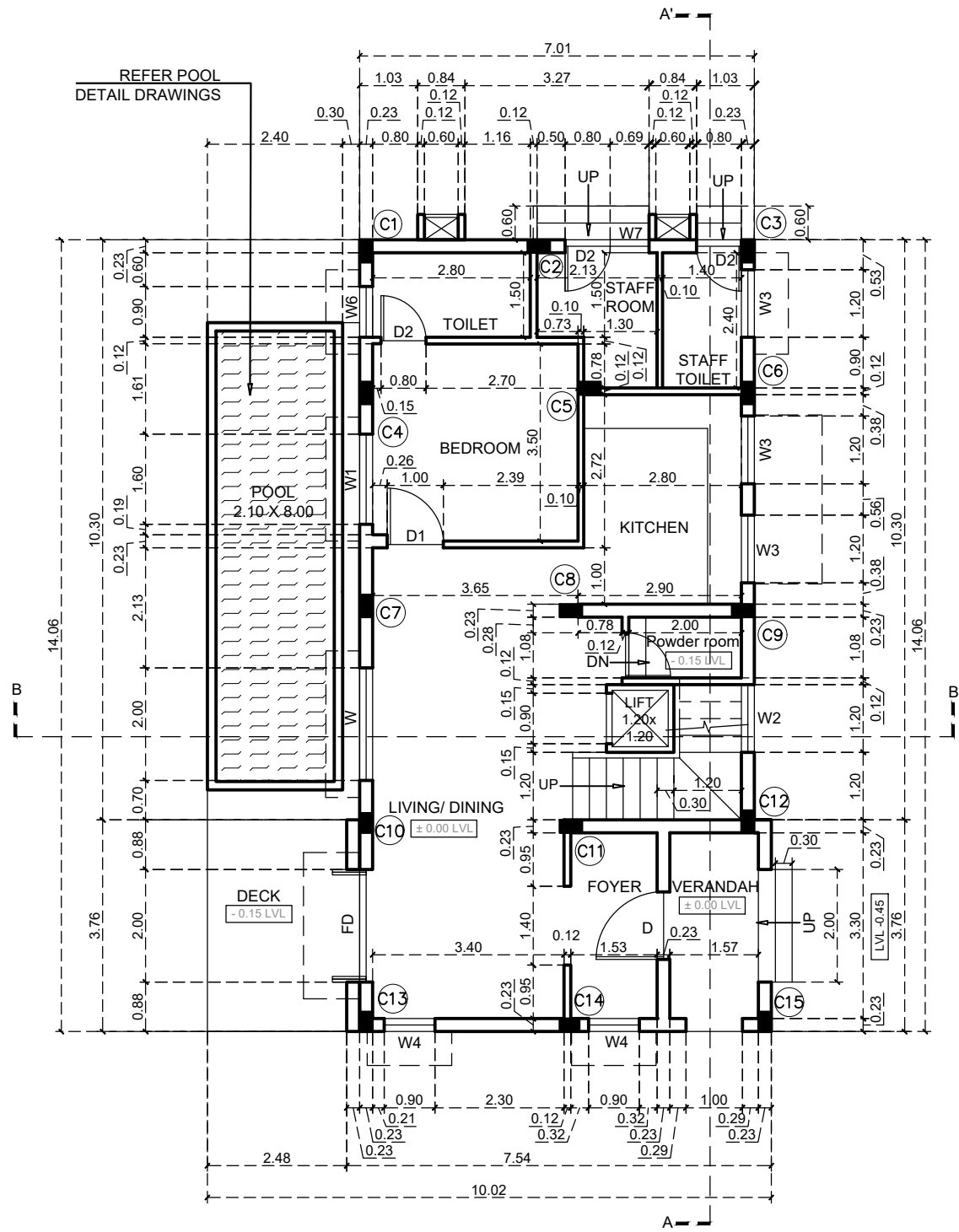
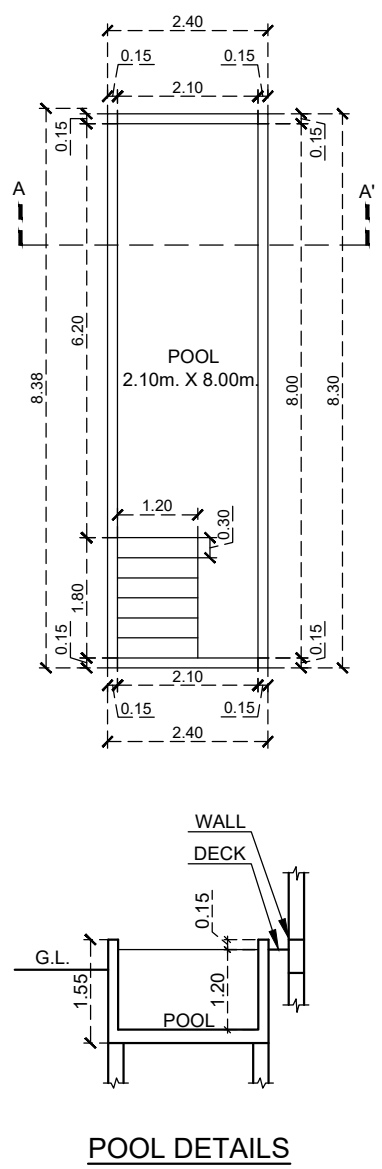


TYPE - VILLA 1



VILLA 1 - GROUND FLOOR PLAN



POOL DETAILS

NOTE - ALL HEIGHTS TO BE TAKEN FROM FINISHED FLOOR LEVEL

SCHEDULES OF DOOR & WINDOW											
TYPE	SIZE	SILL	LINTEL	TYPE	SIZE	SILL	LINTEL	TYPE	SIZE	SILL	LINTEL
D	1.20 x 2.40	--	2.40	W	2.00 x 2.25	0.15	2.40	W8	1.20 x 2.10	0.30	2.40
D1	1.00 x 2.40	--	2.40	W1	1.60 x 2.25	0.15	2.40	W9	0.50 x 1.60	1.05	2.65
D2	0.80 x 2.40	--	2.40	W2	1.20 x 3.60	2.10	5.70				
FD	2.00 x 2.40	--	2.40	W3	1.20 x 1.40	1.00	2.40				
				W4	0.90 x 2.25	0.15	2.40				
				W5	0.90 x 2.10	0.30	2.40				
				W6	0.90 x 1.40	1.00	2.40				
				W7	0.69 x 1.40	1.00	2.40				

WORKING DRAWING			
REVISION	DATE	DESCRIPTION	SIGN

NOTE:

This working drawings indicates the general scope of the project in terms of Architectural Design Concept, the dimensions of the structure, the major architectural elements and the type of structural, mechanical, electrical systems.

This drawing is the property of M/s ULYSIS. No part of this drawing may be used or reproduced in any manner, stored in a retrieval system, or transmitted in any form or by any means, electronic, mechanical, photocopying, recording or otherwise without the written permission of M/s ULYSIS.

The contractor is required to co-relate all relevant drawings and any discrepancies are to be brought to the notice of M/s ULYSIS before commencement of work on site.

Dimensions on the drawings are to be read not scaled.

PROJECT: PROPOSED VILLA PROJECT ON PLOT BEARING S. NO. 227/8 AT ASSAGAO VILLAGE, BARDEZ TALUKA, GOA

OWNER :

DWG. NO.: WD-A-01

DATE: 09-01-2025

PROJECT ENGINEER: RAJESH MAHAMBREY

DRAWN: SAISHA

VERIFIED: SIGHARTH

M/S ULYSIS

ARCHITECTURAL INTERIORS & LANDSCAPE CONSULTANTS
201-A, MATHAIS PLAZA, PANAJI GOA, 403001
TEL: 0832 2421950, EMAIL: ulysis_goa@rediffmail.com